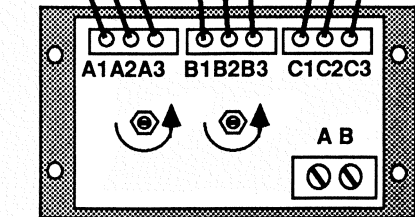
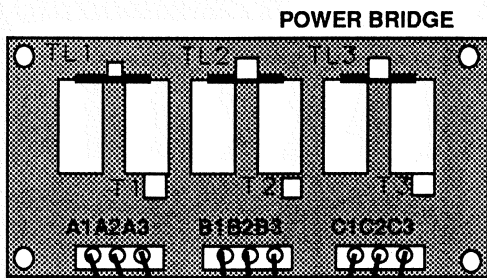
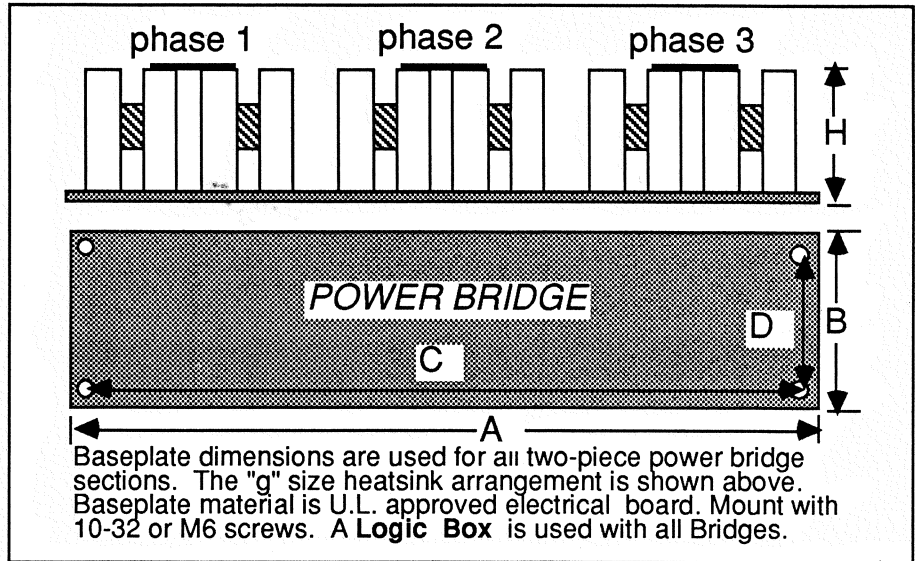


For sizes a,b - Single - piece units (Power Bridge & Logic are in one package). Single-speed is shown.

For sizes S,L - see Smooth-Move 1® information. (Grommet spacing does not apply).



For sizes c,d,e,f,g
Power bridge & Logic Box Interconnection diagram.
 (Heatsink arrangement on Power Bridge is the type found on "c,d,e & f" sizes for one or two-speed.)

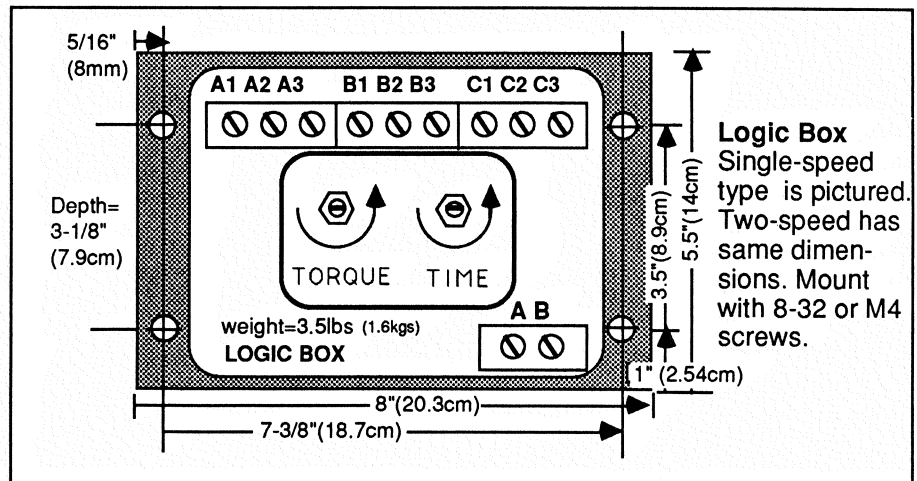


Baseplate dimensions are used for all two-piece power bridge sections. The "g" size heatsink arrangement is shown above. Baseplate material is U.L. approved electrical board. Mount with 10-32 or M6 screws. A Logic Box is used with all Bridges.

A.C. Torque Control Dimensions

Size	A OUTSIDE DIM. in(cm)	B OUTSIDE DIM. in(cm)	C MOUNT CENTERS in(cm)	D MOUNT CENTERS in(cm)	depth in(cm)	weight lb.(kg)
*s	4 (10.16)	3-3/4 (9.53)	3-1/4 (8.25)	3-3/8 (8.57)	3-3/8 (9.5)	1 (.45)
*L	5 (12.7)	5 (12.7)	4 (10.16)	4-3/4 (12.06)	3-5/8 (9.21)	2 (.90)
*a	8 (20.3)	5-1/2 (14)	7-3/8 (18.7)	5 (12.7)	3-1/8 (7.9)	3 (1.4)
*b	8-3/4 (22.3)	6-1/2 (16.5)	8 (20.3)	5-3/4 (14.6)	3-1/8 (7.9)	3-1/2 (1.6)
c	11 (27.9)	5 (12.7)	10-1/4 (26.0)	4-1/4 (10.8)	3-3/4 (9.5)	4 (1.8)
d	12 (30.5)	6 (15.2)	11-1/4 (28.6)	5-1/4 (13.3)	3-3/4 (9.5)	7-1/2 (3.4)
e	12 (30.5)	7 (17.8)	11-1/4 (28.6)	6-1/4 (15.9)	3-3/4 (9.5)	9 (4.1)
f	20 (50.8)	7 (17.8)	19-1/2 (49.5)	6-1/2 (16.5)	5-1/8 (13)	19 (8.6)
g	28 (71.1)	12 (30.5)	27-1/2 (69.9)	11-1/4 (28.6)	5-1/4 (13.3)	29.5 (13.4)

"*" Denotes single-piece construction. Sizes "c" through "g" are two-piece this chart only shows power bridge dimensions (see Logic Box below).



Logic Box Single-speed type is pictured. Two-speed has same dimensions. Mount with 8-32 or M4 screws.