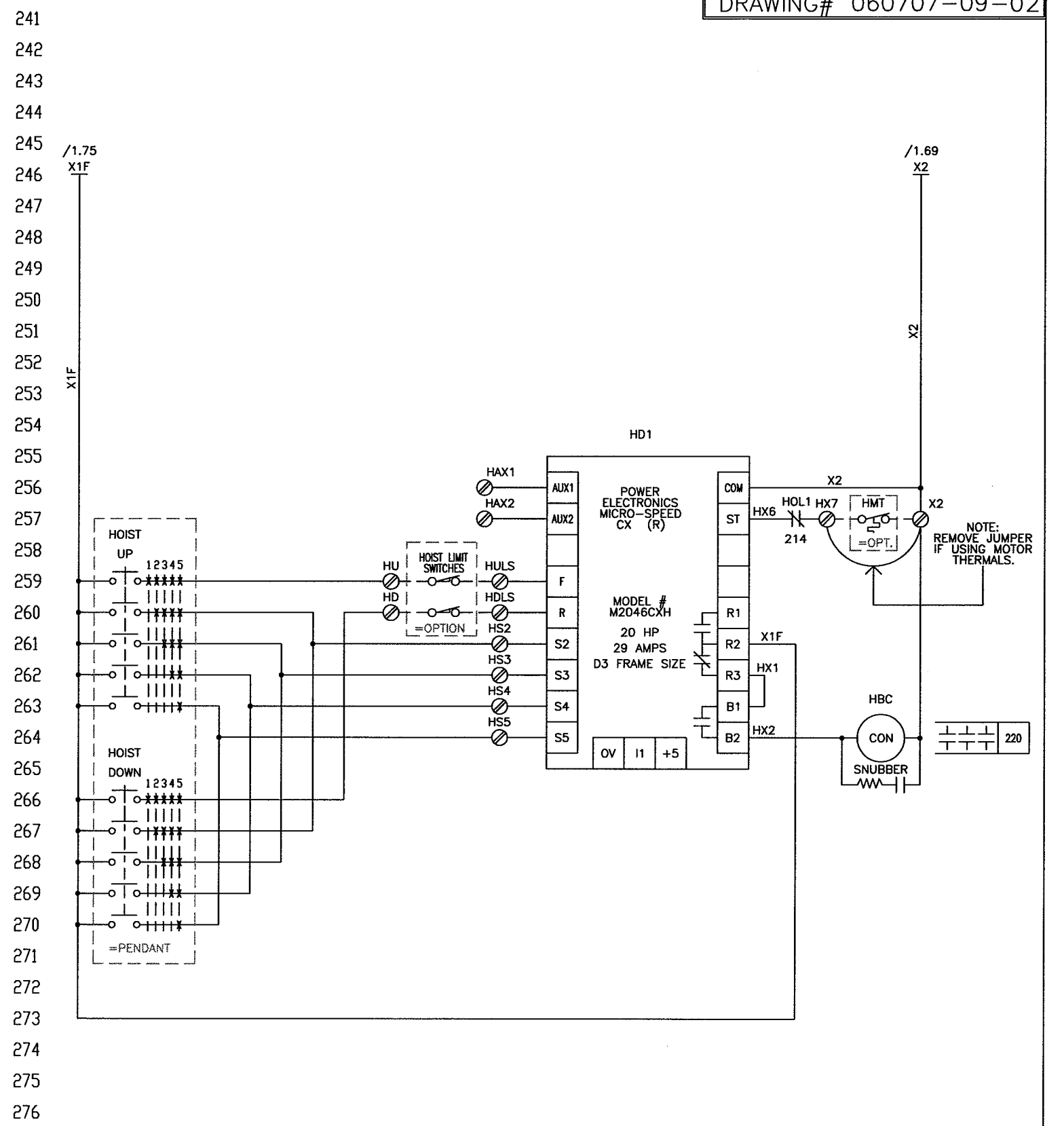
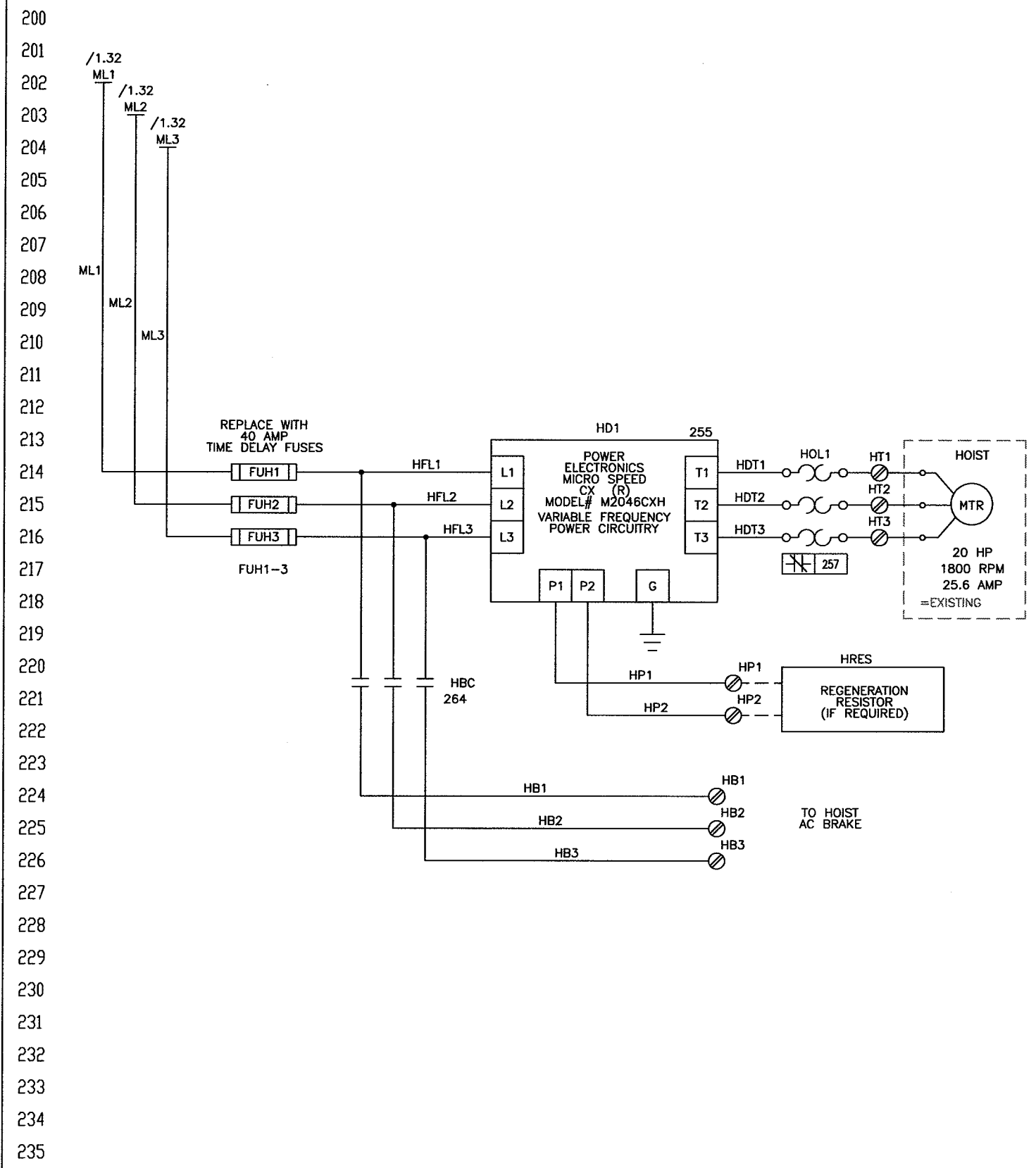


COPYRIGHT 2006. THIS DRAWING AND ALL INFORMATION CONTAINED IS THE PROPERTY OF POWER ELECTRONICS INTERNATIONAL, INC.

PAGE # 1	PANEL DESCRIPTION: (BRIDGE: M746CX-MC60-T250-DF60-UL-CUL)
DRAWN BY: GS	PANEL OPTIONS:
DATE: 06/23/06	
APPR: APPROVED	
PROD: 060707-09	

PE Power Electronics[®] International, Inc.
 561-8 Plate Dr., East Dundee, IL 60118-2467 USA
 Phone: (847) 428-9494 Fax: (847) 428-7744
<http://www.PEinfo.com>

PE Power Electronics[®] International, Inc.
 561-8 Plate Drive, East Dundee, IL 60118 USA
 Phone: (847) 428-9494 Fax: (847) 428-7744
www.PEinfo.com



PAGE # 2
 DRAWN BY: GS
 DATE: 06/23/06
 APPR: APPROVED
 PROD: 060707-09

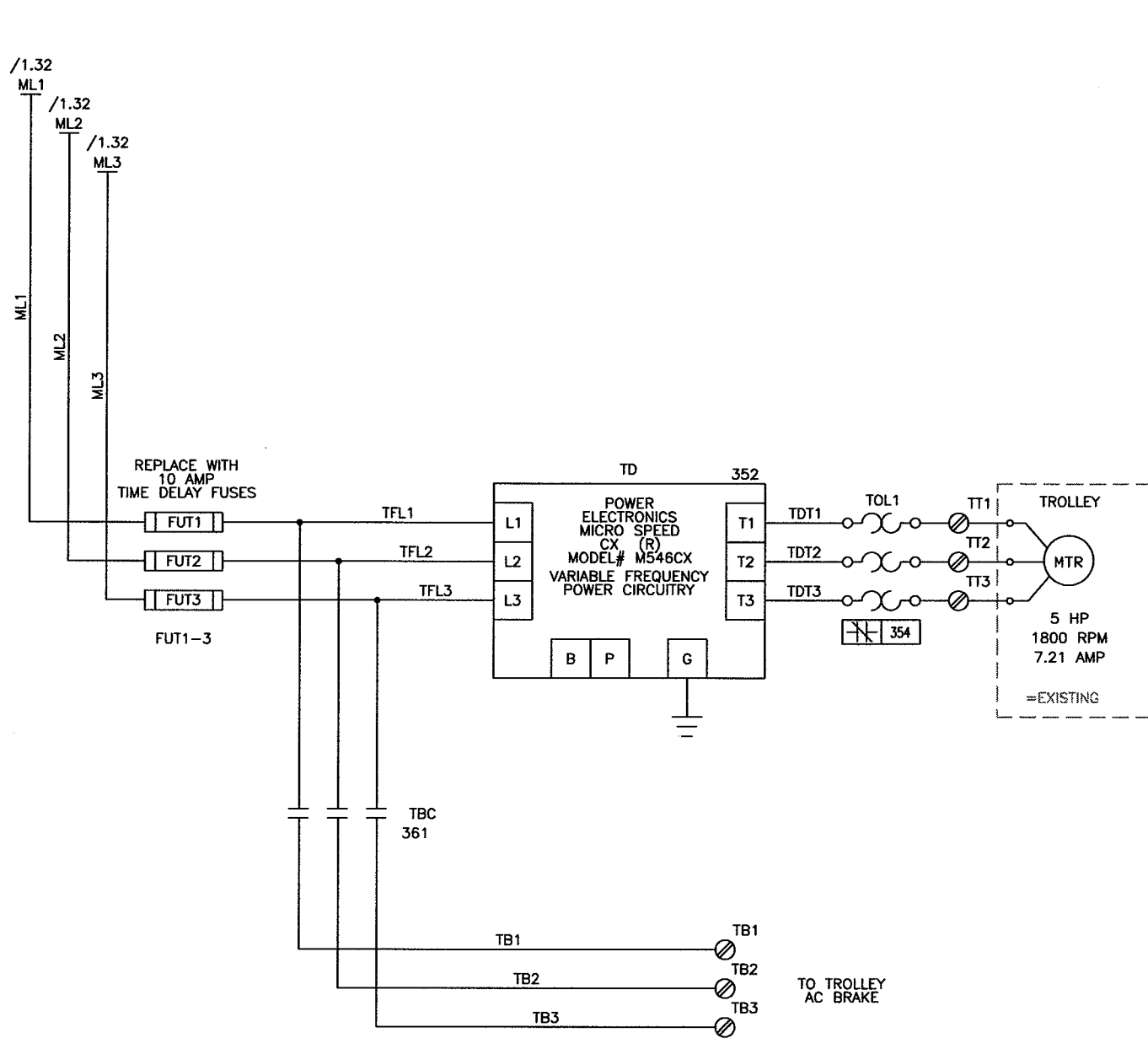
PANEL DESCRIPTION: (HOIST: M2046CXH-PANEL)
 PANEL OPTIONS:

COPYRIGHT 2005. THIS DRAWING AND ALL INFORMATION CONTAINED IS THE PROPERTY OF POWER ELECTRONICS INTERNATIONAL, INC.

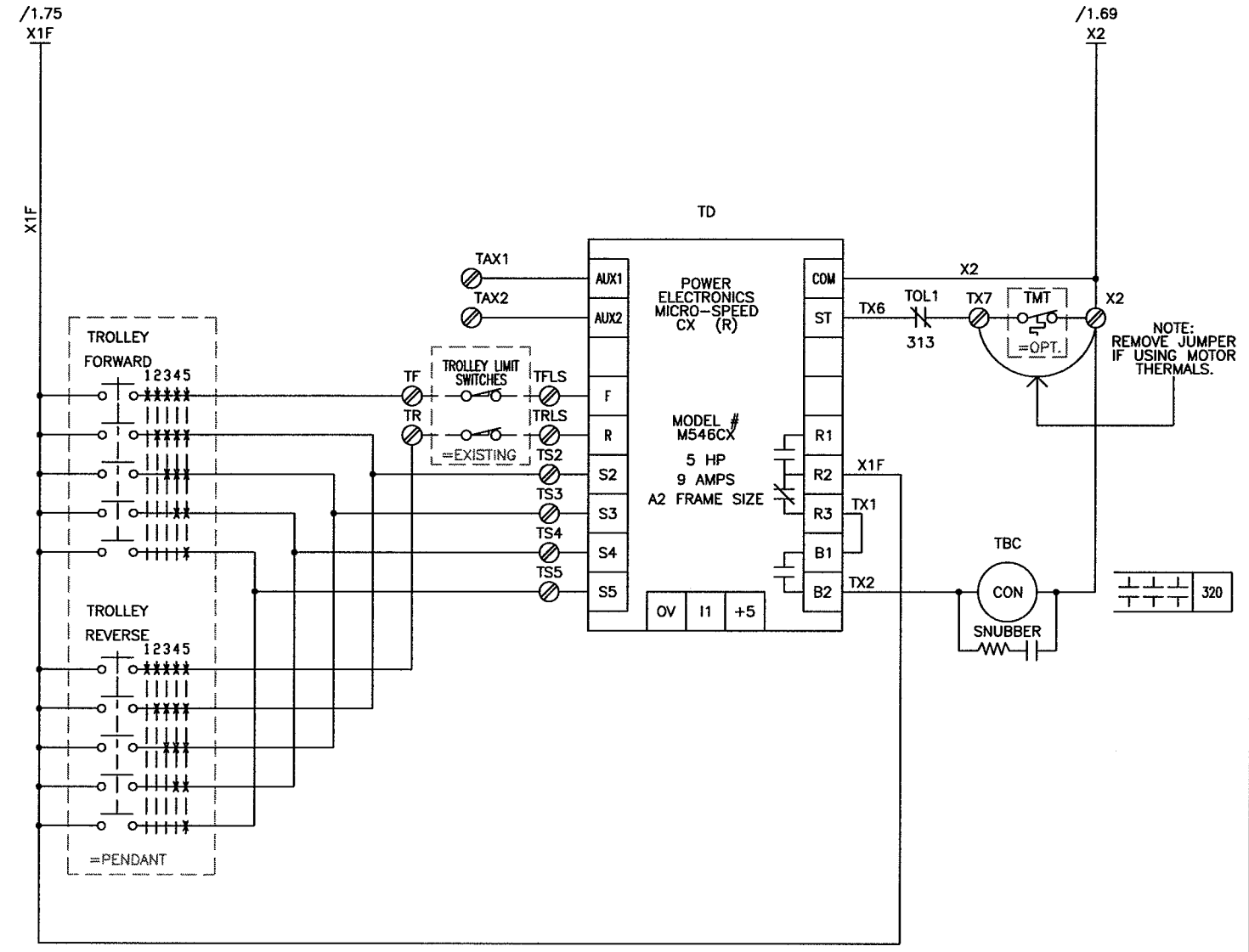
PE Power Electronics® International, Inc.
 561-8 Plate Dr., East Dundee, IL 60118-2467 USA
 Phone: (847) 428-9494 Fax: (847) 428-7744
<http://www.PEinfo.com>

CUSTOMER:
PE Power Electronics® International, Inc.
 561-8 Plate Drive, East Dundee, IL 60118 USA
 Phone: (847) 428-9494 Fax: (847) 428-7744
www.PEinfo.com

300
301
302
303
304
305
306
307
308
309
310
311
312
313
314
315
316
317
318
319
320
321
322
323
324
325
326
327
328
329
330
331
332
333
334
335



341
342
343
344
345
346
347
348
349
350
351
352
353
354
355
356
357
358
359
360
361
362
363
364
365
366
367
368
369
370
371
372
373
374
375
376



PAGE # 3
DRAWN BY: GS
DATE: 06/23/06
APPR: APPROVED
PROD: 060707-09

PANEL DESCRIPTION: (TROLLEY: M546CX-PANEL)
PANEL OPTIONS:

COPYRIGHT 2006. THIS DRAWING AND ALL INFORMATION CONTAINED IS THE PROPERTY OF POWER ELECTRONICS INTERNATIONAL, INC.

PE Power Electronics®
International, Inc.
561-8 Plate Dr., East Dundee, IL 60118-2467 USA
Phone: (847) 428-9494 Fax: (847) 428-7744
<http://www.PEinfo.com>

CUSTOMER:
PE Power Electronics®
International, Inc.
561-8 Plate Drive, East Dundee, IL 60118 USA
Phone: (847) 428-9494 Fax: (847) 428-7744
www.PEinfo.com