

## 2.1 Wiring

Motor rotation direction should be checked after installation.

## 2.2 General Bridge, Trolley or Hoist Diagrams

Below is a typical drawing of the Micro-Speed Smart-Move<sup>®</sup> MSM-R.

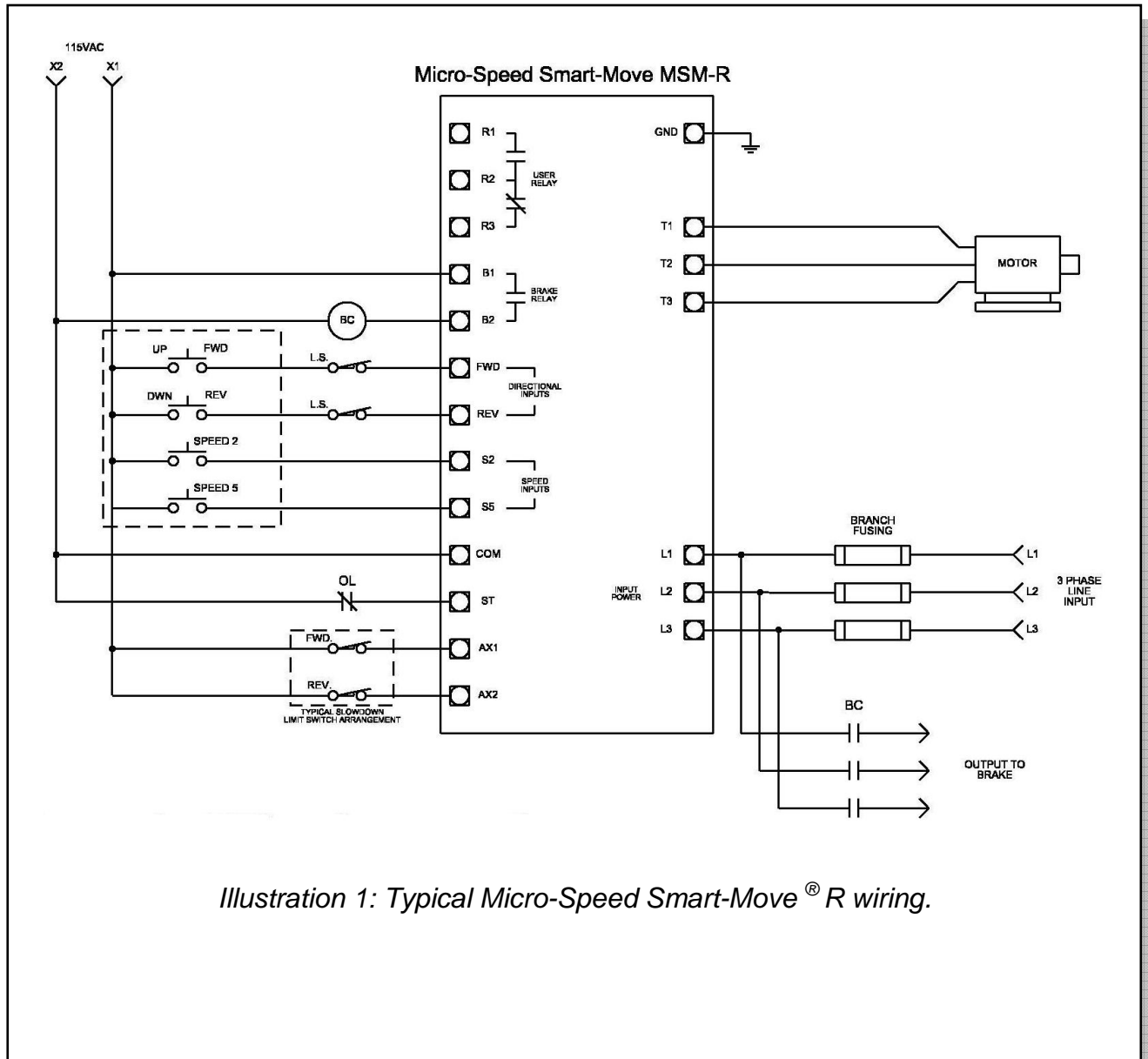


Illustration 1: Typical Micro-Speed Smart-Move<sup>®</sup> R wiring.

Below is a typical drawing of the Micro-Speed Smart-Move<sup>®</sup> MSM-RP.

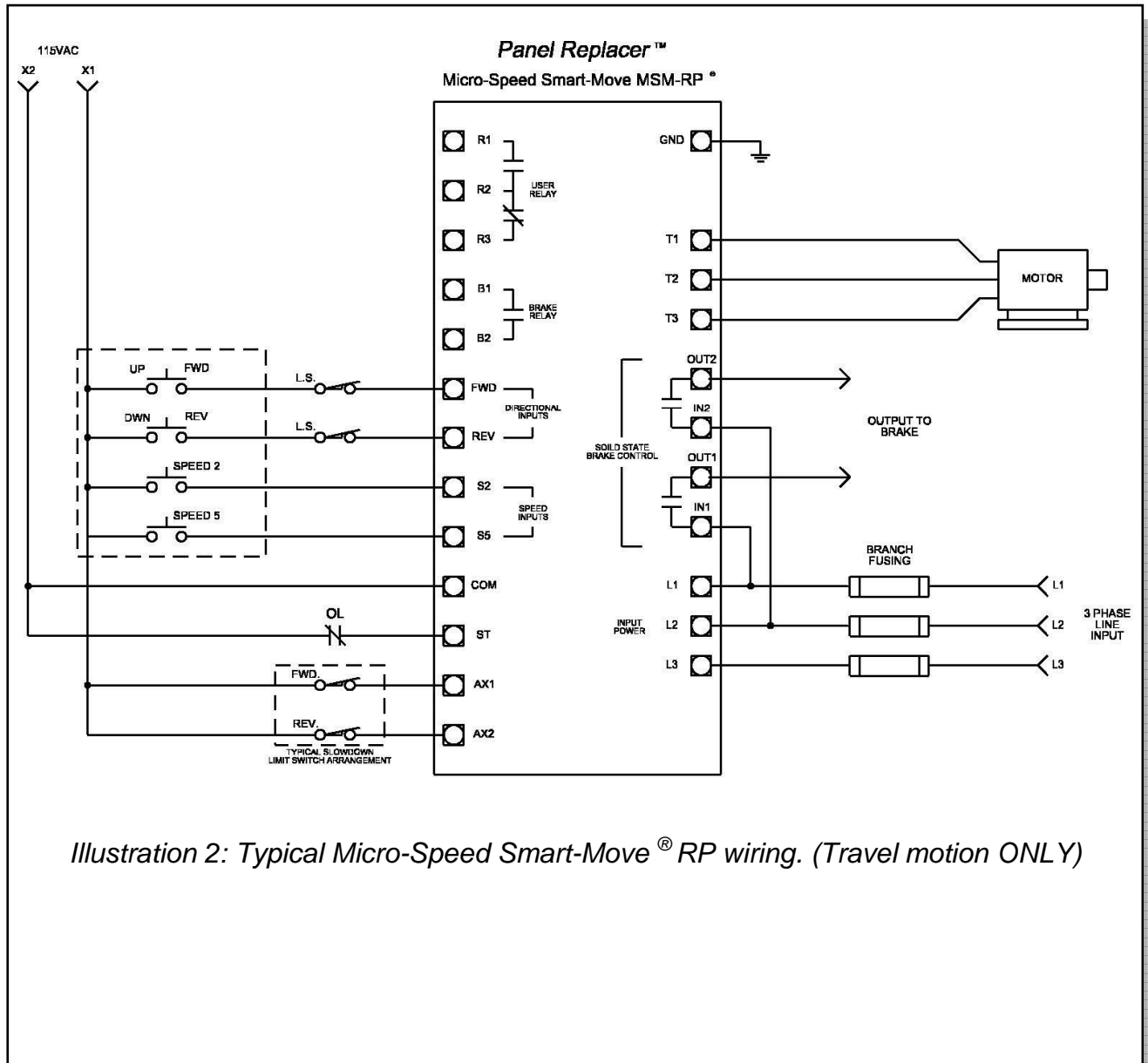


Illustration 2: Typical Micro-Speed Smart-Move<sup>®</sup> RP wiring. (Travel motion ONLY)